

# 281 P

Non-return axial guided valve

01 System

## Technical Data Sheet



## Description

The non-return axial guided valve 281 P has been developed to meet the requirements of NF anti-pollution standard.

- Operates in any position
- Minimum head loss
- Silent and robust
- Does not generate hammering
- Closing system : double axial guiding with return spring
- Excellent sealing at high as well as at low pressure ensured by a specially designed lip-ring seal



## 281 P

Axially guided non-return valve - 01 System

DN		PFA in bar	PS in bar				Cat.	Ref.	Weight Kg
M "	F "		L1	L2	G1	G2			
1 1/4	1 1/4	10	10	10	10	10	4.3	<b>149B2292</b>	0,048

### Important notice :

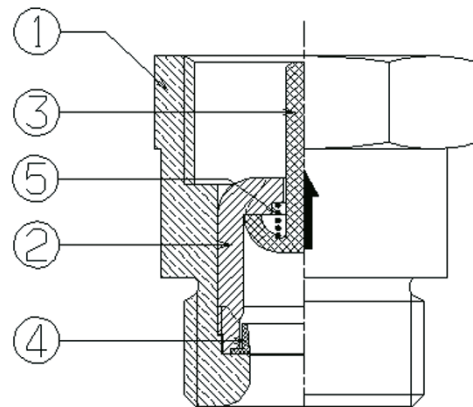
The indicated pressure for the different categories of fluids (L1/L2/G1/G2) is under no condition a guarantee of use. Therefore, it is essential to validate the use of products under given operating conditions. The operating instructions are available on our web site [www.socla.com](http://www.socla.com) or by requesting from our sales department.

### Technical features

Operating temperature	-10 °C to 65 °C
Permissible operating pressure (PFA) in water	See table above
Maximum permissible pressure (PS) other mediums	See table above
Connection	Male/Female, BSP thread
Mediums	Not corrosive clear liquids

### Nomenclature and materials

N°	Description	Materials	EURO	ANSI
1	Body	POM (Polyacetal)		
2	Guide	PPO		
3	Closing system	POM (polyacetal)		
4	Lip-ring seal	NBR (Nitrile)		
5	Spring	Stainless steel	X10CrNi18-8	AISI 302



## Approvals



**International construction Standards :**  
NF Antipollution according to NF EN13959  
Thread connection according to NF EN ISO 228-1

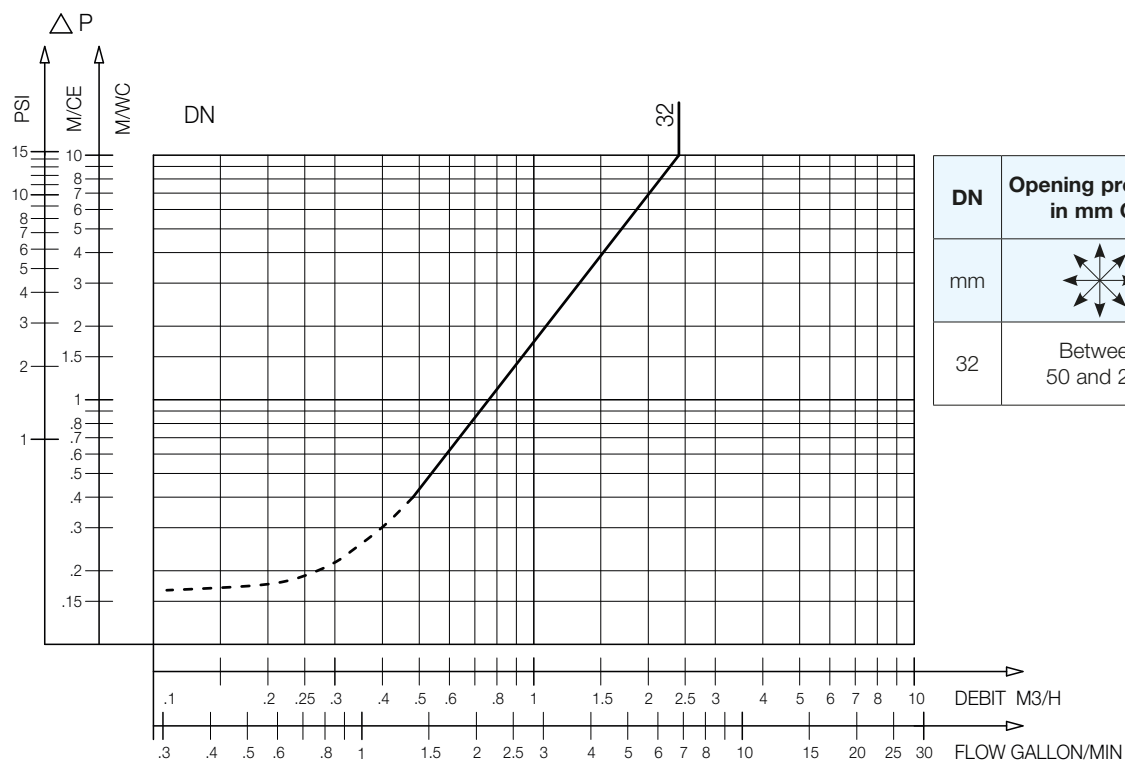
## Application

Construction, water distribution, pumping.

## Operation

**Direction for use :**

- Solid line: Valve completely open
- Dotted line: opening stage of valve

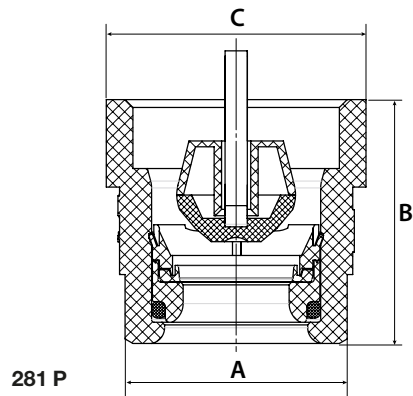


DN	Opening pressure in mm CE	Kv	ζ
mm		m <sup>3</sup> /H	
32	Between 50 and 200	24,07	2,89

281 P - Headloss chart

## Sizing

A		B	C
M "	F "	mm	mm
1 1/4	1 1/4	46	49



The descriptions and photographs contained in this product specification sheet are supplied by way of information only and are not binding.

Socla reserves the right to carry out any technical and design improvements to its products without prior notice. Warranty : All sales and contracts for sale are expressly conditioned on the buyer's assent to Socla terms and conditions found on its website at [www.socla.com](http://www.socla.com). Socla hereby objects to any term, different from or additional to Socla terms, contained in any buyer communication in any form, unless agreed to in a writing signed by an officer of Socla.



**A WATTS Brand**

**Socla sas**

365 rue du Lieutenant Putier • 71530 Virey-Le-Grand • France  
Tel. +33 03 85 97 42 00 • Fax +33 03 85 97 42 42  
[contact@wattswater.com](mailto:contact@wattswater.com) • [www.socla.com](http://www.socla.com)  
ISO 9001 version 2015 / ISO 18001