

# 407RR

Membrane non-return valve

M System

## Technical Data Sheet



## Description

This valve is designed for installations that generate significant water hammer. It is very reliable and quiet (no mechanical moving parts, anti-incrustation closing system and seat). Ideal for booster pumps, sprinkler systems, motor or electric pump units and compressed air circuits. Alternating operation.

- Operates in any position
- Low head loss
- Does not generate hammering
- Inside and outside rilsan coating
- Closing system : flexible membrane (thick elastomer disc) held in its center on a metal seat composed of a grid (flow equivalent to the nominal section)
- Sealing ensured by membrane's self-closing.



### 407RR

Membrane non-return valve - M system

| DN    | PN  | PFA<br>in bar | PS in bar |    |    |     | Cat. | Ref.             | Weight<br>Kg |
|-------|-----|---------------|-----------|----|----|-----|------|------------------|--------------|
|       |     |               | L1        | L2 | G1 | G2  |      |                  |              |
| 1 1/2 | 40  | 10/16         | 16        | 16 | 16 | 16  | I    | <b>149B1720</b>  | 6,9          |
| 2     | 50  | 10/16         | 16        | 16 | 16 | 16  | I    | <b>149B1721</b>  | 8,9          |
| 2 1/2 | 65  | 10/16         | 16        | 16 | 16 | 15  | I    | <b>149B1533</b>  | 11,9         |
| 3     | 80  | 10/16         | 16        | 16 | 16 | 12  | I    | <b>149B1722</b>  | 15,9         |
| 4     | 100 | 10/16         | 16        | 16 | 16 | 10  | I    | <b>149B1723</b>  | 19,5         |
| 5     | 125 | 10/16         | 16        | 16 | 16 | 0,5 | I    | <b>149B1977</b>  | 25,4         |
| 6     | 150 | 10/16         | 16        | 13 | 16 | 0,5 | I    | <b>149B1972</b>  | 39,5         |
| 8     | 200 | 10            | 10        | 10 | 10 | 0,5 | I    | <b>149B15127</b> | 81,6         |

#### Important notice :

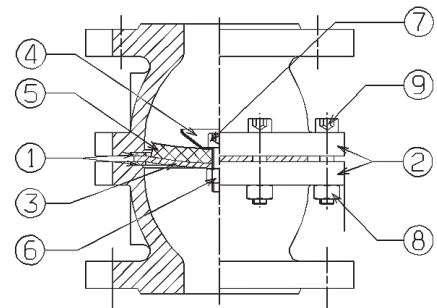
The indicated pressure for the different categories of fluids (L1/L2/G1/G2) is under no condition a guarantee of use. Therefore, it is essential to validate the use of products under given operating conditions. The operating instructions are available on our website [www.socla.com](http://www.socla.com) or by requesting from our sales department.

#### Technical features

|                                                 |                                |
|-------------------------------------------------|--------------------------------|
| Operating temperature                           | -10 °C to 60 °C                |
| Permissible operating pressure (PFA) in water   | See table above                |
| Maximum permissible pressure (PS) other mediums | See table above                |
| Connection                                      | Flanges drilled PN (see table) |
| Mediums                                         | Clear liquids                  |

#### Nomenclature and materials

| N° | Description | Materials               | EURO                | ANSI           |
|----|-------------|-------------------------|---------------------|----------------|
| 1  | Seal        | EPDM                    |                     |                |
| 2  | Body        | Rilsan coated cast iron | EN-GJL-250          | ASTM A 48 35 B |
| 3  | Seat        | DN 40 to 80             | Stainless steel     |                |
|    |             | DN 100 to 200           | Rilsan coated steel |                |
| 4  | Cup         | DN 40 to 65             | Stainless steel     | X6Cr17         |
|    |             | DN 80 to 200            | Brass               | CuZn39Pb3      |
| 5  | Membrane    | NR                      |                     |                |
| 6  | Nut         | Stainless steel         | X5Cr-Ni18-10        | AISI 304       |
| 7  | Screw       | Stainless steel         | X5Cr-Ni18-10        | AISI 304       |
| 8  | Nut         | Galvanised steel        |                     |                |
| 9  | Screw       | Stainless steel         | X5Cr-Ni18-10        | AISI 304       |



## Approvals



**International construction Standards :**  
Directive 2014/68/UE  
Flange drilling according to EN1092-2

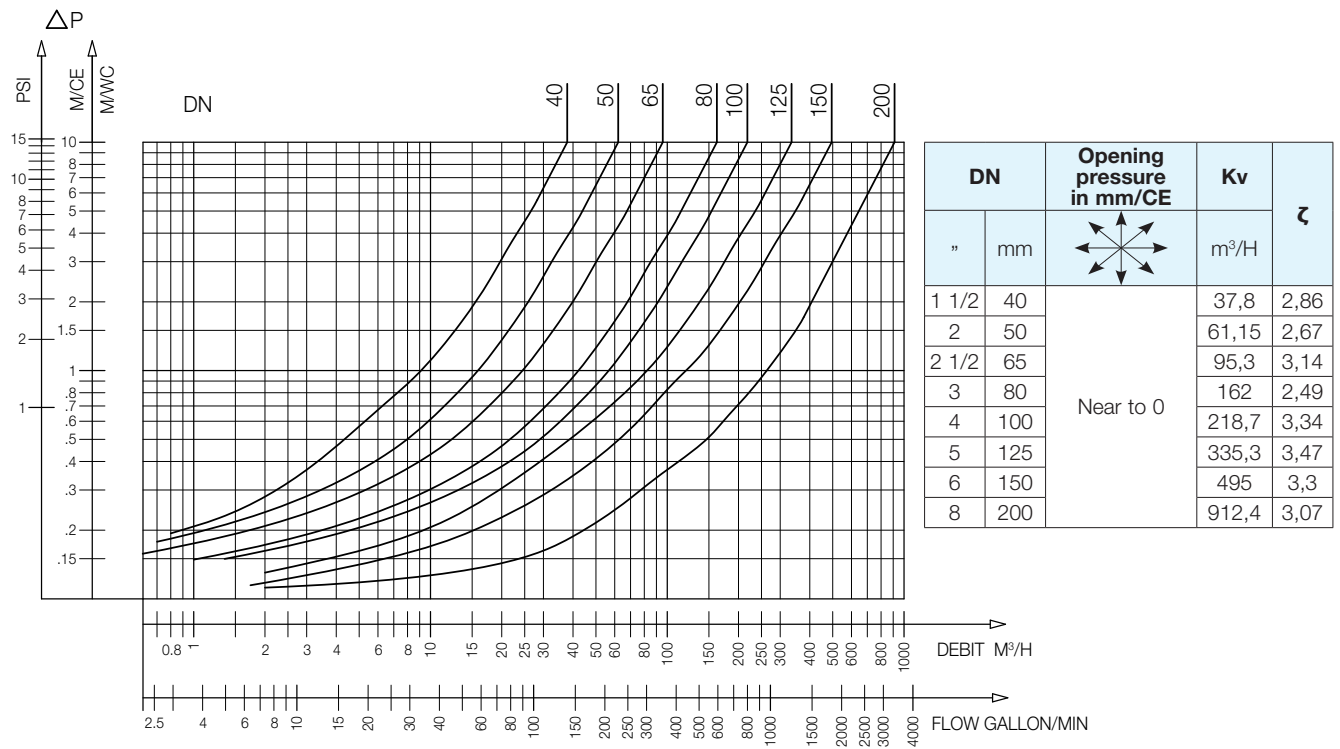
## Application

Thermal water, aggressive liquids.

## Operation

**Direction for use :**

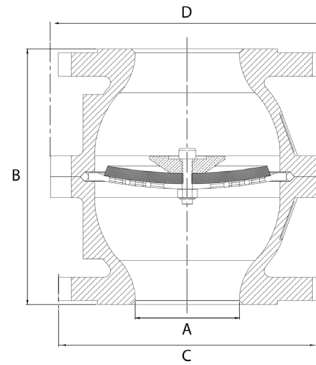
- Solid line: Valve completely open



407RR - Headloss chart

## Sizing

| A     |     | B   | C   | D   |
|-------|-----|-----|-----|-----|
| "     | mm  | mm  | mm  | mm  |
| 1 1/2 | 40  | 148 | 150 | 140 |
| 2     | 50  | 158 | 164 | 159 |
| 2 1/4 | 60  | 176 | 183 | 169 |
| 2 1/2 | 65  | 176 | 183 | 169 |
| 3     | 80  | 196 | 200 | 212 |
| 4     | 100 | 213 | 220 | 234 |
| 5     | 125 | 228 | 250 | 250 |
| 6     | 150 | 266 | 285 | 324 |
| 8     | 200 | 439 | 340 | 426 |



407RR

The descriptions and photographs contained in this product specification sheet are supplied by way of information only and are not binding.

Socla reserves the right to carry out any technical and design improvements to its products without prior notice. Warranty : All sales and contracts for sale are expressly conditioned on the buyer's assent to Socla terms and conditions found on its website at [www.socla.com](http://www.socla.com). Socla hereby objects to any term, different from or additional to Socla terms, contained in any buyer communication in any form, unless agreed to in a writing signed by an officer of Socla.



A WATTS Brand

Socla sas

365 rue du Lieutenant Putier • 71530 Virey-Le-Grand • France

Tel. +33 03 85 97 42 00 • Fax +33 03 85 97 42 42

[contact@wattswater.com](mailto:contact@wattswater.com) • [www.socla.com](http://www.socla.com)

ISO 9001 version 2015 / ISO 18001