

696V

Non-return valve with single plate
05 System

Technical Data Sheet



Description

Non-return valve with single plate in aluminium bronze :

- Can be installed horizontally or vertically upwards
- Compact
- Robust and reliable
- Simple design, easy installation



696V

Non-return valve with single plate - 05 System

DN mm	PN	PFA in bar	PS in bar				Cat.	Ref.	Weight Kg
			L1	L2	G1	G2			
40	10/16	16	16	16	16	16	I	149F021325	0,870
50	10/16	16	16	16	16	16	I	149F021326	0,965
65	10/16	16	16	16	15	16	I	149F021327	1,550
80	10/16	16	16	16	12	16	I	149F021328	1,870
100	10/16	16	16	16	10	16	I	149F021329	2,250
125	10/16	16	16	16	0,5	16	I	149F021330	3,220
150	10/16	16	13	16	0,5	16	I	149F021331	4,825
200	10	10	10	10	0,5	10	I	149F021332	9,765
250	10	10	10	10	0,5	10	I	149F021333	16,790
300	10	10	10	10	0,5	10	I	149F021334	26,785

NB : PN16 version : Please consult us

Important notice :

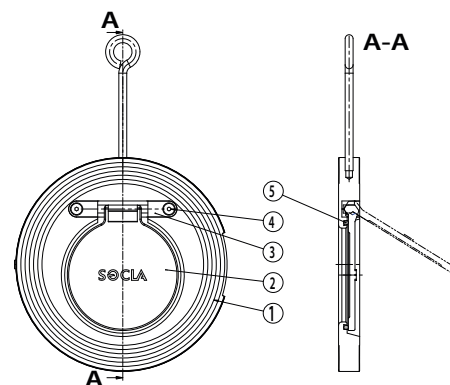
The indicated pressure for the different categories of fluids (L1/L2/G1/G2) is under no condition a guarantee of use. Therefore, it is essential to validate the use of products under given operating conditions. The operating instructions are available on our website www.socla.com or by requesting from our sales department.

Technical features

Operating temperature	-10 °C to 150 °C
Permissible operating pressure (PFA) in water	See table above
Maximum permissible pressure (PS) other mediums	See table above
Connection	Flanges drilled PN (see table)
Maximum service velocity	5m/s
Mediums	Clear liquids, sea water, salted and aggressive solutions

Nomenclature and materials

N°	Description	Materials	EURO	ANSI
1	Body	Aluminium bronze	EN1982CuAl10Fe5Ni5-C GS	
2	Disc	Aluminium bronze	EN1982CuAl10Fe5Ni5-C GS	
3	Disc holding	Aluminium bronze	EN1982CuAl10Fe5Ni5-C GS	
4	Screw	Stainless steel	EN10088-3 X5CrNi18-10	AISI 304
5	Seal	FKM		



Approvals



International construction Standards :
 Directive 2014/68/UE
 Flange drilling according to EN 1092-2

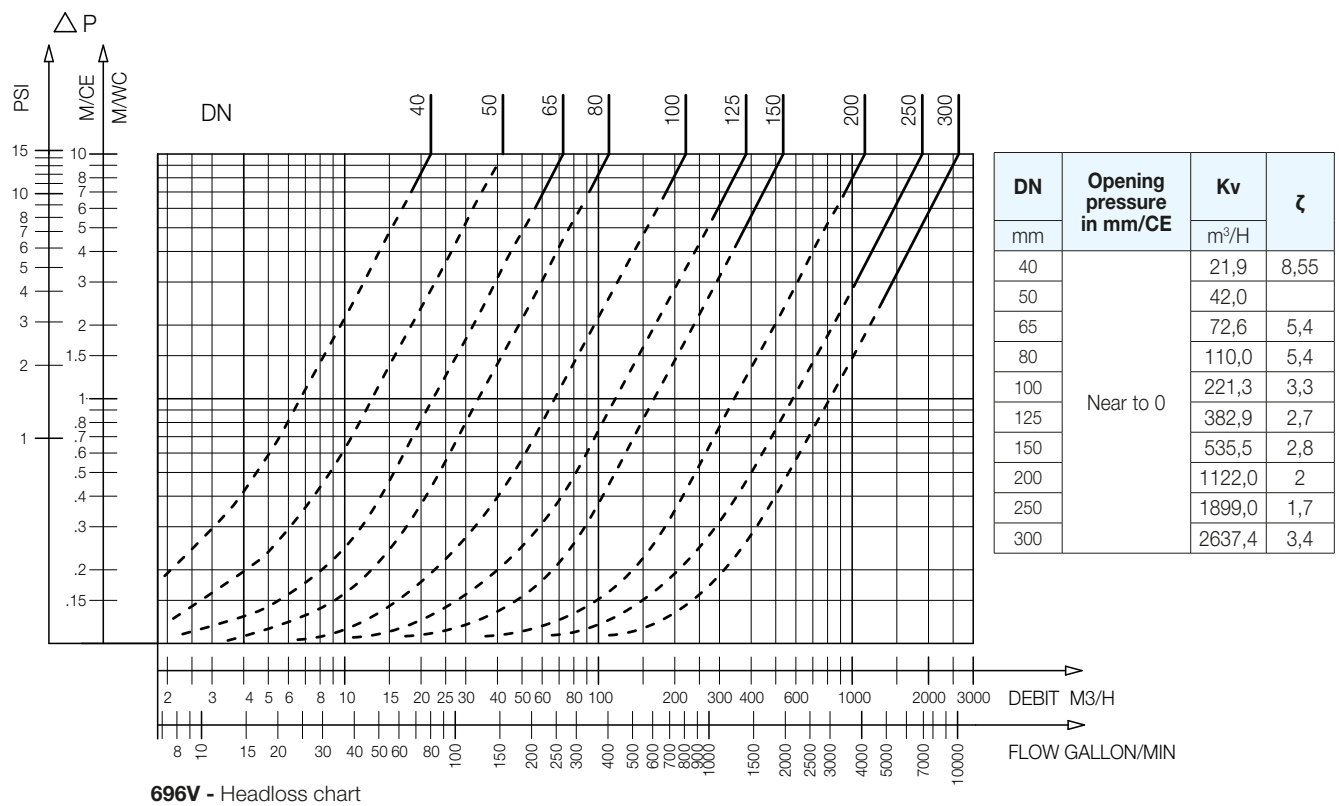
Application

Sea water, saline and aggressive solutions, general industrial circuits.

Operation

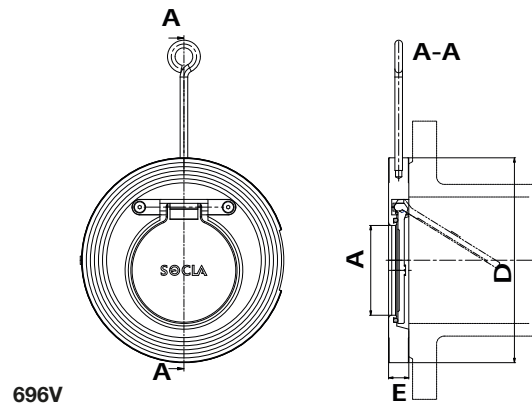
Direction for use :

- Solid line: Valve completely open
- Dotted line: opening stage of valve



Sizing

DN	A	D	E
mm	mm	mm	mm
40	22	94	16
50	32	106	16
65	42	129	16
80	53	144	16
100	71	162	16
125	94	194	16
150	114	220	19
200	164	275	28
250	199	331	32
300	240	380	38



The descriptions and photographs contained in this product specification sheet are supplied by way of information only and are not binding.

Socla reserves the right to carry out any technical and design improvements to its products without prior notice. Warranty : All sales and contracts for sale are expressly conditioned on the buyer's assent to Socla terms and conditions found on its website at www.socla.com. Socla hereby objects to any term, different from or additional to Socla terms, contained in any buyer communication in any form, unless agreed to in a writing signed by an officer of Socla.

SOCLA

A WATTS Brand

Socla sas

365 rue du Lieutenant Putier • 71530 Virey-Le-Grand • France
 Tel. +33 03 85 97 42 00 • Fax +33 03 85 97 42 42
contact@wattswater.com • www.socla.com
 ISO 9001 version 2015 / ISO 18001