

# EA 251PP

EA antipollution non-return valves

System 01

## Technical Data Sheet



## Description

The non-return valve EA 251PP is certified to the NF antipollution norms. This non-return valve is designed for the protection of drinking water network against polluted backflow which has no recognized toxic or microbiological risks to human health. It is particularly suitable for mounting after watermeter.

- Operates in any position
- Minimum head loss
- Silent and robust
- Does not generate hammering
- Closing system : double axial guiding with return spring
- Excellent sealing at high as well as at low pressure ensured by a specially designed lip ring-seal
- Drilled bosses 1/4" with drain cock, except DN15, drilled bosses 1/8"



## EA 251PP

EA antipollution non-return valves - System 01

DN		PFA in bar	PS in bar				Cat.	Ref.	Weight Kg
C	"		L1	L2	G1	G2			
15	3/4	10	10	10	10	10	4.3	<b>149B2111PP</b>	0,34
20	1	10	10	10	10	10	4.3	<b>149B2112PP</b>	0,58
25	1 1/4	10	10	10	x	10	4.3	<b>149B2113PP</b>	0,65
30	1 1/2	10	10	10	x	10	4.3	<b>149B2114PP</b>	0,98
40	2	10	10	10	x	10	4.3	<b>149B2115PP</b>	1,19

\*C : water meter

### Important notice :

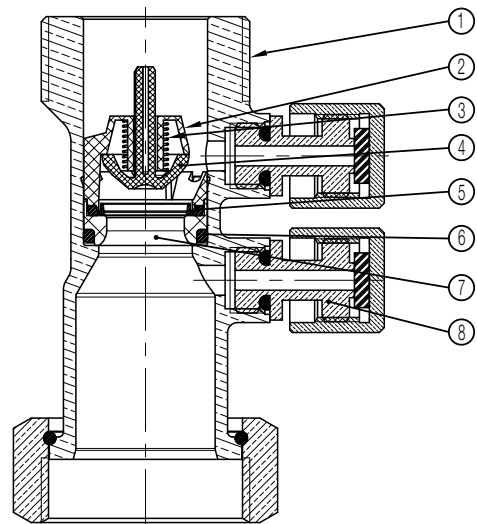
The indicated pressure for the different categories of fluids (L1/L2/G1/G2) is under no condition a guarantee of use. Therefore, it is essential to validate the use of products under given operating conditions.

### Technical features

Operating temperature	Mini. : -10 °C / Maxi. : 65 °C / Short time (1h/Day) : 90 °C
Permissible operating pressure (PFA) in water	See table above
Maximum permissible pressure (PS) other mediums	See table above
Connection	Female/Male BSP thread, with union nut
Mediums	Clear liquids, gas

### Nomenclature and materials

N°	Description	Materials	EURO
1	Body	Brass	EN12165 - CuZn40Pb2-H080 4MS
2	Guide	Hostaform natural	C 13031
3	Spring	Stainless steel	EN10270-3 X10CrNi18-8
4	Closing system	Hostaform natural	C 13031
5	Seal	NBR 70 Sh.A	
6	O-ring	NBR 70 Sh.A	
7	Seat	Hostaform natural	C 13031
8	Plug	Brass	EN12164 - CW617N R360 mini 4MS



## Approvals



### International construction Standards :

NF Antipollution according to NF EN 13959 - EN1717  
Thread connection according to NF E 03-005 ISO 228

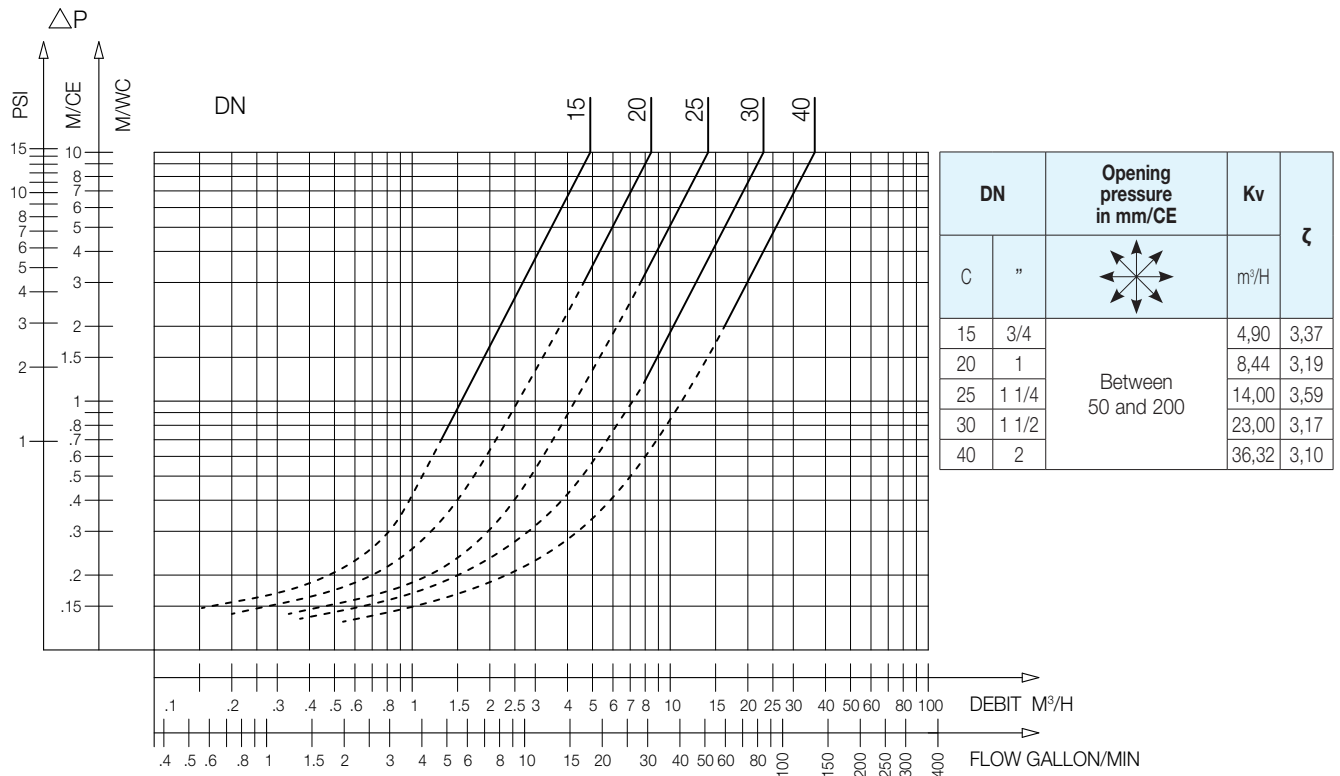
## Application

Housing, water distribution, protection of drinking water networks.

## Operation

### Direction for use :

- Solid line: Valve completely open
- Dotted line: opening stage of valve

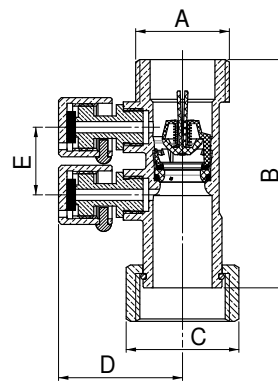


EA 251PP - Headloss chart

## Sizing

DN	Connection A		B	C	D	E
C	"	mm	mm	mm	mm	mm
15	3/4	20/27	78	30	38	28
20	1	26/34	81	38	44	24
25	1 1/4	33/42	100	46	48	25
30	1 1/2	40/49	100	55	50	30
40	2	50/60	105	66	54	36

EA 251PP



The descriptions and photographs contained in this product specification sheet are supplied by way of information only and are not binding.

Socla reserves the right to carry out any technical and design improvements to its products without prior notice. Warranty : All sales and contracts for sale are expressly conditioned on the buyer's assent to Socla terms and conditions found on its website at [www.socla.com](http://www.socla.com). Socla hereby objects to any term, different from or additional to Socla terms, contained in any buyer communication in any form, unless agreed to in a writing signed by an officer of Socla.

**Socla**

A WATTS Brand

**Socla sas**

365 rue du Lieutenant Putier • 71530 Virey-Le-Grand • France

Tel. +33 03 85 97 42 00 • Fax +33 03 85 97 42 42

contact@wattswater.com • [www.socla.com](http://www.socla.com)

ISO 9001 version 2015 / ISO 18001