

ED 2231

ED antipollution non-return valves

System 01

Technical Data Sheet



Description

- Operates in any position
- Minimum headloss
- Silence, robustness
- Does not generate hammering
- Closing system : double axial guiding with return spring
- Excellent sealing at high as well as at low pressure ensured by a specially designed lip-ring seal



ED 2231

ED antipollution non-return valves - System 01

DN	PFA in bar	PS in bar				Cat.	Ref.	Weight Kg
		L1	L2	G1	G2			
1/2	10	10	10	10	10	3.3	149B2790	0,130
3/4	10	10	10	10	10	3.3	149B 2791	0,280
1	10	10	10	10	10	3.3	149B 2792	0,500
1 1/4	10	10	10	X	10	3.3	149B 2637	0,700
1 1/2	10	10	10	X	10	3.3	149B 2638	1,010
2	10	10	10	X	10	3.3	149B 2639	1,560

Important notice :

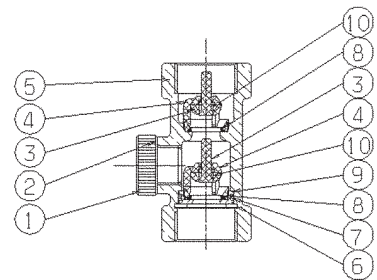
The indicated pressure for the different categories of fluids (L1/L2/G1/G2) is under no condition a guarantee of use. Therefore, it is essential to validate the use of products under given operating conditions. Socla is not responsible for non-adaptation of the product to working conditions not previously specified by the customer.

Technical features

Operating temperature	-10 °C at 80 °C
Permissible operating pressure (PFA) in water	See table above
Maximum permissible pressure (PS) other mediums	See table above
Connection	Female/female, BSP thread
Mediums	Clear liquids, water, gas

Nomenclature and materials

N°	Description	Materials	EURO	ANSI
1	Plug	POM (Polyacetal)		
2	Seal	NBR Nitrile		
3	Closing system	POM (Polyacetal)		
4	Guide	POM (Polyacetal)		
5	Body	Laiton		
6	Circlips	Stainless steel	X10CrNi185-8	AISI 302
7	Seal	NBR Nitrile		
8	O-ring	NBR Nitrile		
9	Seal	Brass		
10	Spring	Stainless steel	X10CrNi185-8	AISI 302



Approvals



International construction Standards :
NF Antipollution according to NF EN 13959 - EN1717
Thread connection according to NF E 03-005 ISO 228

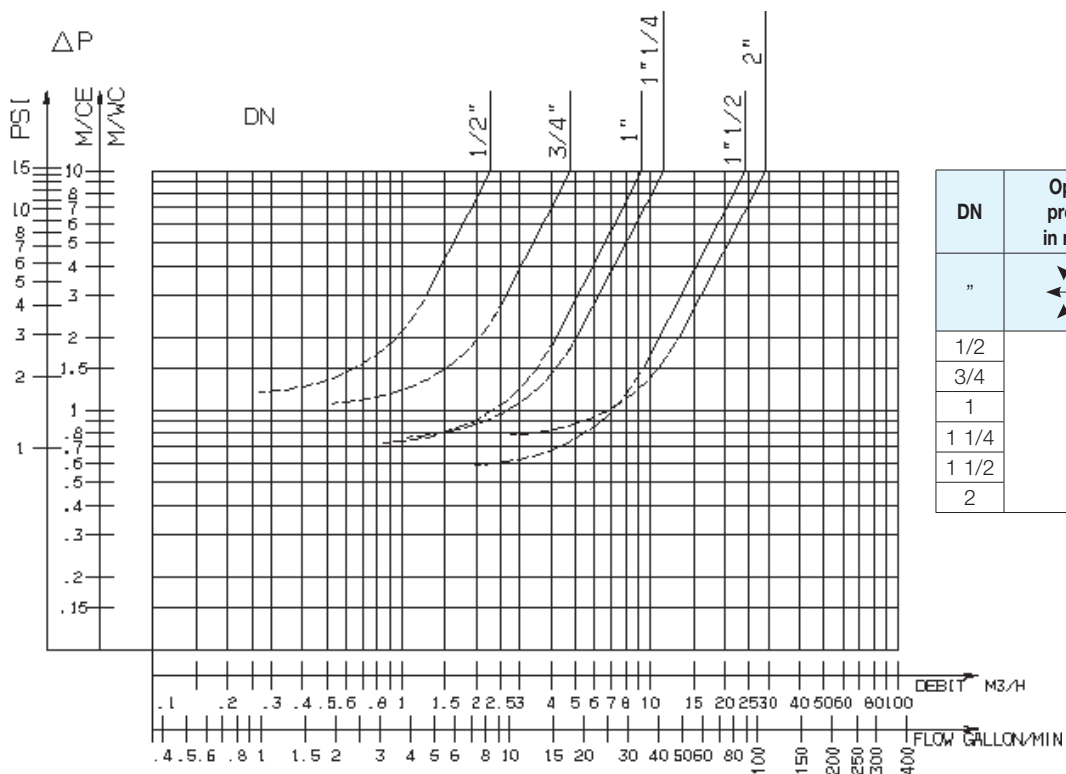
Application

Housing, water distribution, protection of drinking water networks.

Operation

Direction for use :

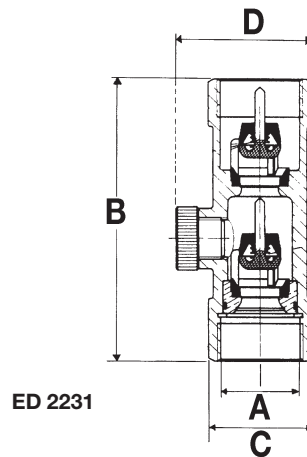
- Solid line: Valve completely open
- Dotted line: opening stage of valve



ED 2231 - Headloss chart

Sizing

Connection A		B	C	D
"	mm	mm	mm	mm
1/2	15/21	59	26	38
3/4	20/27	90	32	43
1	26/34	105	40	49
1 1/4	15/21	146	48	57
1 1/2	20/27	175	55	62
2	26/34	196	67	77



The descriptions and photographs contained in this product specification sheet are supplied by way of information only and are not binding.

Socla reserves the right to carry out any technical and design improvements to its products without prior notice. Warranty : All sales and contracts for sale are expressly conditioned on the buyer's assent to Socla terms and conditions found on its website at www.socla.com. Socla hereby objects to any term, different from or additional to Socla terms, contained in any buyer communication in any form, unless agreed to in a writing signed by an officer of Socla.



A WATTS Brand

Socla sas

365 rue du Lieutenant Putier • 71530 Virey-Le-Grand • France

Tel. +33 03 85 97 42 00 • Fax +33 03 85 97 42 42

contact@wattswater.com • www.socla.com

ISO 9001 version 2015 / ISO 18001