

Butterfly valves Sylax MF



DN 32/40 up to 300 mm

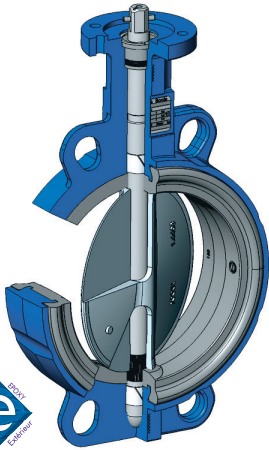
sylax

Technical datasheet



Description

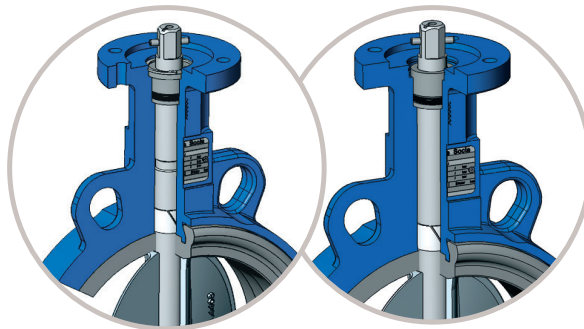
A product which is simple but rich in technology, essential in the chain of fluid circulation. Our butterfly valves bring reliability, a comprehensive range and a high level of safety.



Butterfly valves Sylax MF - CNPP

DN 32/40 up to 300 mm

- Butterfly valves with gear box, dedicated to sprinkler systems, equipped with chain and padlocks (CNPP version only).
- CNPP approval n° YO/AL/12/037 dated 02/12/2003
- Factory Mutual approval n° 3029234 (Sylax MF)
- Competitive quality and price ratio
- Reliability



SYLAX MF
(Factory Mutual approval)

SYLAX CNPP
(National Center for Prevention and Protection approval)

SAFETY

- > Safety anti-ejection circlip keeps shaft in place and allows easy maintenance (MF version only)
- > Safety reinforced by a secondary water tightness
- > Spline driven one piece shaft connected to floating disc : high reliability of tightness and torque transmission in the long term.



PROTECTION AND RELIABILITY

- > High power transmission with robust grooved connection between the shaft and the disc.
- > Complete protection of the shaft and valve body from fluids.
- > Reliability of movements with self-lubricating bearings.

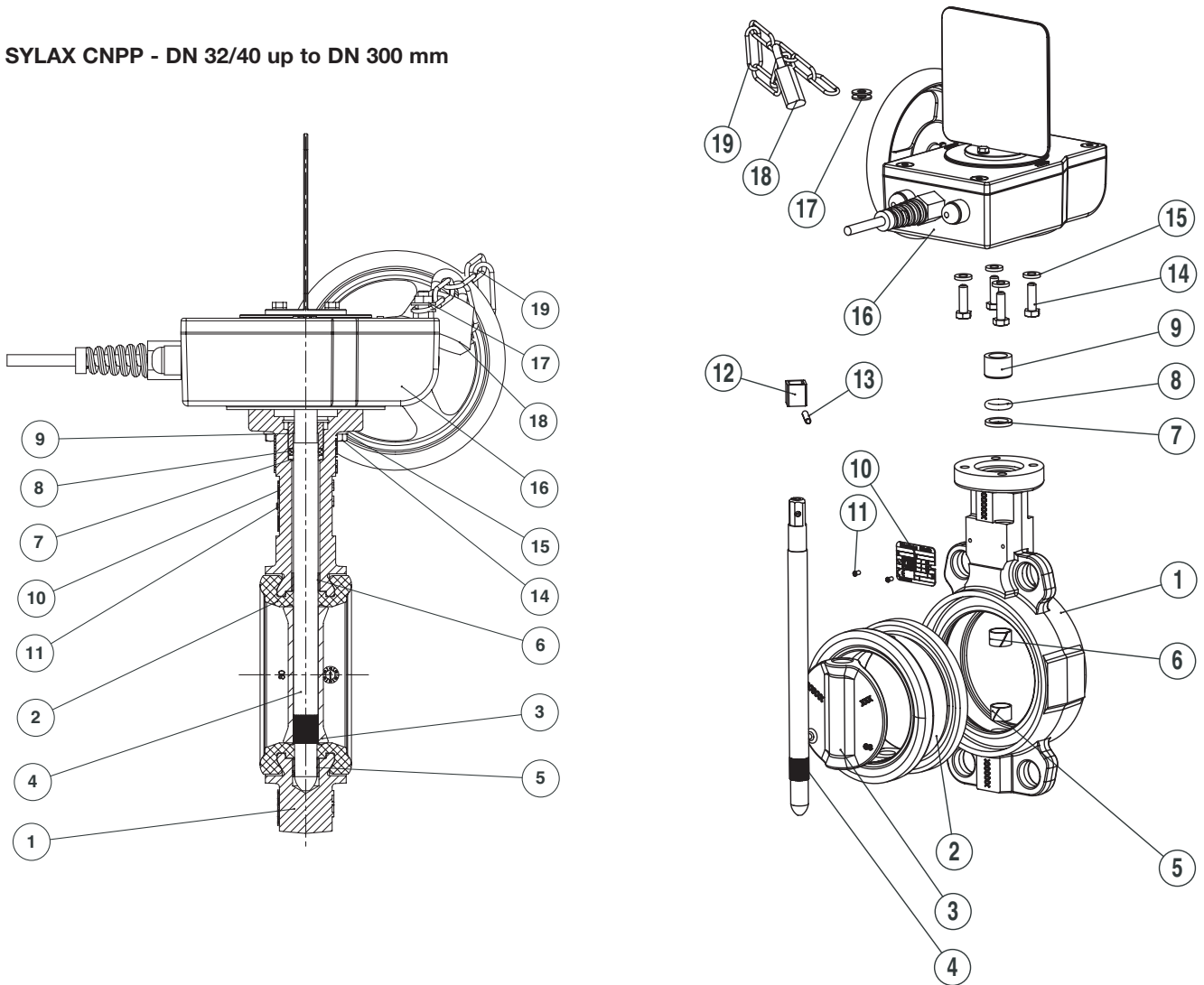


TRACEABILITY

- > Identification and traceability ensured by riveted metal tag (see on page 14)

Spare parts list and materials

SYLAX CNPP - DN 32/40 up to DN 300 mm

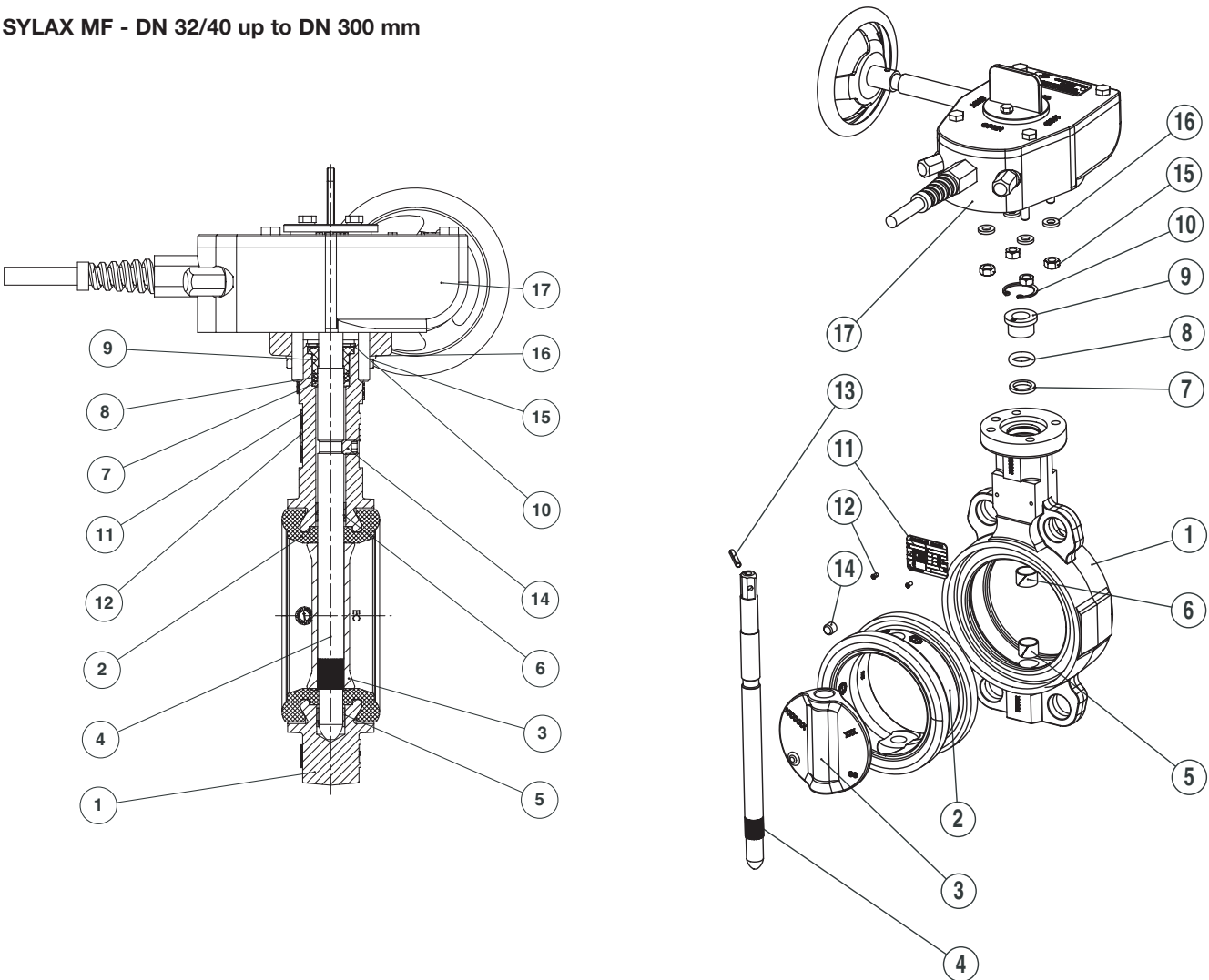


N°	Description	Qty	Materials	EN	ASTM	JIS
1	Body	1	Ductile iron	EN GJS 400-15 (JS1030)		FCD40
2	Liner	1	EPDM	-	-	-
			Ductile iron	EN GJS 400-15 (JS1030)	-	FCD40
3	Disc	1	Stainless steel	GX5 CrNiMo 19-11-2 (1.4408)	316	SUS 316
			Stainless steel	GX2 CrNiMo 19-11-2 (1.4409)	316L	SUS 316L
			Cupro - Aluminium	CuAl10Fe5Ni5 (C333G)	-	-
4	Stem	1	Stainless steel	X5 CrNiCuNb 16-4 (1.4542)	630	SUS 630
			Stainless steel	X2 CrNiMo 17-12-2 (1.4404)	316L	SUS 316L
			Stainless steel	X30 Cr13 (1.4028)	420	SUS 420 J2
5	Anti-friction bearing	1	Zinc coated steel + PTFE	-	-	-
6	Anti-friction bearing	1	Zinc coated steel + PTFE	-	-	-
7	Anti-extrusion bush	1	Plastic	IXEF 50 FV	-	-
8	O-ring	1	Nitrile	-	-	-
9	Sealing washer	1	Brass	CuZn39Pb2 (CW612N)	-	-
10	Identification plate	1	Aluminium	EN AW - AL995 (EN AW - 1050A)	-	-
11	Rivet	2	Alu / Stainless steel	-	-	-
12	Counter-square ⁽¹⁾	1	Steel	-	-	-
13	Pin	1	Steel	-	-	-
14	Screw H	4	Zinc coated steel	-	-	-
15	Elastic washer	4	Zinc coated steel	-	-	-
16	Gear box CNPP approved	1	Aluminium	-	-	-
17	Flat washer	2	Zinc coated steel	-	-	-
18	Padlock	1	Steel + Brass	-	-	-
19	Chain	1	Steel	-	-	-

(1) Only DN32/40 up to 100 and DN250

Spare parts list and materials

SYLAX MF - DN 32/40 up to DN 300 mm



N°	Description	Qty	Materials	EN	ASTM	JIS
1	Body	1	Ductile iron	EN GJS 400-15 (JS1030)	-	FCD40
2	Liner	1	EPDM	-	-	-
3	Disc	1	Ductile iron	EN GJS 400-15 (JS1030)	-	FCD40
			Stainless steel	GX5 CrNiMo 19-11-2 (1.4408)	316	SUS 316
			Stainless steel	GX2 CrNiMo 19-11-2 (1.4409)	316L	SUS 316L
			Cupro-aluminium	CuAl10Fe5Ni5 (C333G)	-	-
4	Stem	1	Stainless steel	X30 Cr13 (1.4028)	420	SUS 420 J2
5	Anti-friction bearing	1	Zinc coated steel + PTFE	-	-	-
6	Anti-friction bearing	1	Zinc coated steel + PTFE	-	-	-
7	Anti-extrusion bush	1	Plastic	IXEF 50 FV	-	-
8	O-ring	1	Nitrile	-	-	-
9	Sealing washer	1	Plastic	IXEF 50 FV	-	-
10	Circlips	1	Steel	XC 75	-	-
11	Identification plate	1	Aluminium	EN AW - AL995 (EN AW - 1050A)	-	-
12	Rivet	1	Alu / Stainless steel	-	-	-
13	Pin	1	Steel	-	-	-
14	Headless screw	1	Zinc coated steel	-	-	-
15	Nut	4	Zinc coated steel	-	-	-
16	Elastic washer	4	Zinc coated steel	-	-	-
17	Gear box	1	Ductile iron	-	-	-

Approvals

DESIGN

According to EN 593 and marking according to EN 19

ISO TOP CONNECTION FOR ACTUATIONS

According to EN ISO 5211

FACE TO FACE

According to 558-1 serie 20
ISO 5752 serie 20
API 609 table 2

CONNECTING FLANGES (see on page 13)

According to EN1092-1 and EN1092-2
ASME/ANSI B16.5
BS10-d and BS10-e
JIS B2238 and JIS B2239

TESTS

According to EN12266-1
Resistance and tightness of the body : test P11(1,5 x allowable operating pressure)
Tightness of the seat : test P12 rate A (1,1 x allowable operating pressure)

EUROPEAN DIRECTIVES

Our butterfly valves Sylax MF-CNPP are in accordance to the safety requirements of the following directive :

• Directive 2014/68/UE : Equipments under pressure PED (Pressure Equipment Directive)

Applies to the design, manufacturing and the assessment of the conformity of pressure equipment, the maximum allowable pressure of which is 0.5 bar.

Pressure equipment for water supply, distribution, and disposal of water is excluded. Depending on the type of pressure equipment, maximum allowable temperature (PS), DN, physical nature of the fluid (liquid, gas or vapour) and the degree of danger of the fluid (group1/2)*, the directive classifies this same equipment into different categories (article 3.3, I, II, III, IV), required for the assessment of conformity with CE marking. The equipment defined in article 3.3 of the directive must not bear the CE marking.

(*) Groupe 1 : according to rule CE 1272/2008.

Groupe 2 : all other fluids.

Important notice : the indicated pressure for the different categories of fluids (L1/L2/G1/G2) is under no condition a guarantee of use. Therefore, it is essential to validate the use of products under given operating conditions. Socla is not responsible for alterations of the products to working conditions not previously specified by the customer.

In addition, the operating instructions are available on our web site www.socla.com or by simple request from our sales department.

DIRECTIVE 2014/68/UE EQUIPMENTS UNDER PRESSURE

Products manufactured in conformity with the requirements of the directive, according to pressure, DN and fluid (see on the precedent page).

LINERS		DN mm	Cat.	MOUNTING	PFA	PS			
						L1	L2	G1	G2
16 bar	EPDM (approvals CNPP), EPDM (approvals FM)	32 up to 300	4.3	Flanges	16		16		
				End of line	12		12		

PS : Maximum allowable pressure (in bar) according to Directive 2014/68/UE
PFA : Allowable operating pressure (in bar) for supply, distribution and disposal of water.

Application

- Sprinkler systems
- For special applications such as lug type body, alu-bronze or stainless steel disc..., contact our technical back office team.

Installation

General remarks :

For safety reasons, the installation must take place under the supervision of authorised people taking account of local safety instructions and advice.

The handling of butterfly valves and their controls must be done by staff trained in all technical aspects of their operation.

Before installation the pipes must be depressurised and purged (empty of its fluid) in order to avoid any danger to the operator.

The pipe work must be correctly aligned so that no extra stress is exerted on the valve casing.

Check the compatibility of the connection flanges against the operating pressure : the PN number of the flanges must be greater or equal to the operating pressure.

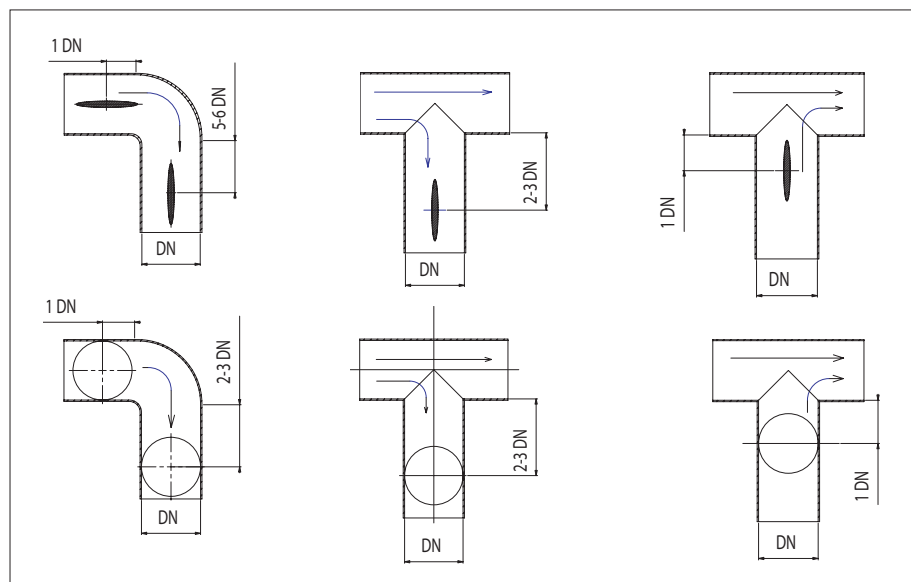
The valve is a machined piece of equipment and must not be used to prise apart the flanges.

An instruction notice specifying the installation characteristics and the commission of the Sylax MF-CNPP is added to every product. It is available on our web site www.socla.com or on request by our sales department.

Installation conditions :

It is recommended that the distances mentioned below be respected in order to prolong the life time of the valve.

Mounting the valve close to pipe work junctions places it in turbulent zones which increase its wear.



Functioning characteristics

Torques values

Wet torques (Nm) EPDM	32/40	50	65	80	100	125	150	200	250	300
PS16 SYLAX MF	15	18	30	32	50	83	115	180	280	430
PS16 SYLAX CNPP	15	15	20	26	45	53	66	123	295	346

NOTA : One actuation minimum per month.

Flow rate (Kv)

OPENING STAGE Stainless steel Disc									
DN	10°	20°	30°	40°	50°	60°	70°	80°	90°
32/40	-	-	-	5	12	25	40	56	62
50	-	-	1	8	18	33	54	71	79
65	-	-	6	19	41	76	118	158	174
80	-	3	18	43	79	138	211	252	275
100	-	15	38	83	154	253	368	458	496
125	-	20	61	134	249	399	599	792	883
150	5	37	100	200	374	600	863	1109	1212
200	15	76	200	399	680	1099	1666	2196	2500
250	40	150	333	621	1084	1765	2652	3517	3948
300	60	219	500	989	1736	2770	4097	5118	5635

The butterfly valve is not the best product for regulating Nevertheless, the Sylax MF-CNPP butterfly valve can be used to regulate by an opening stage between 30° and 90°.

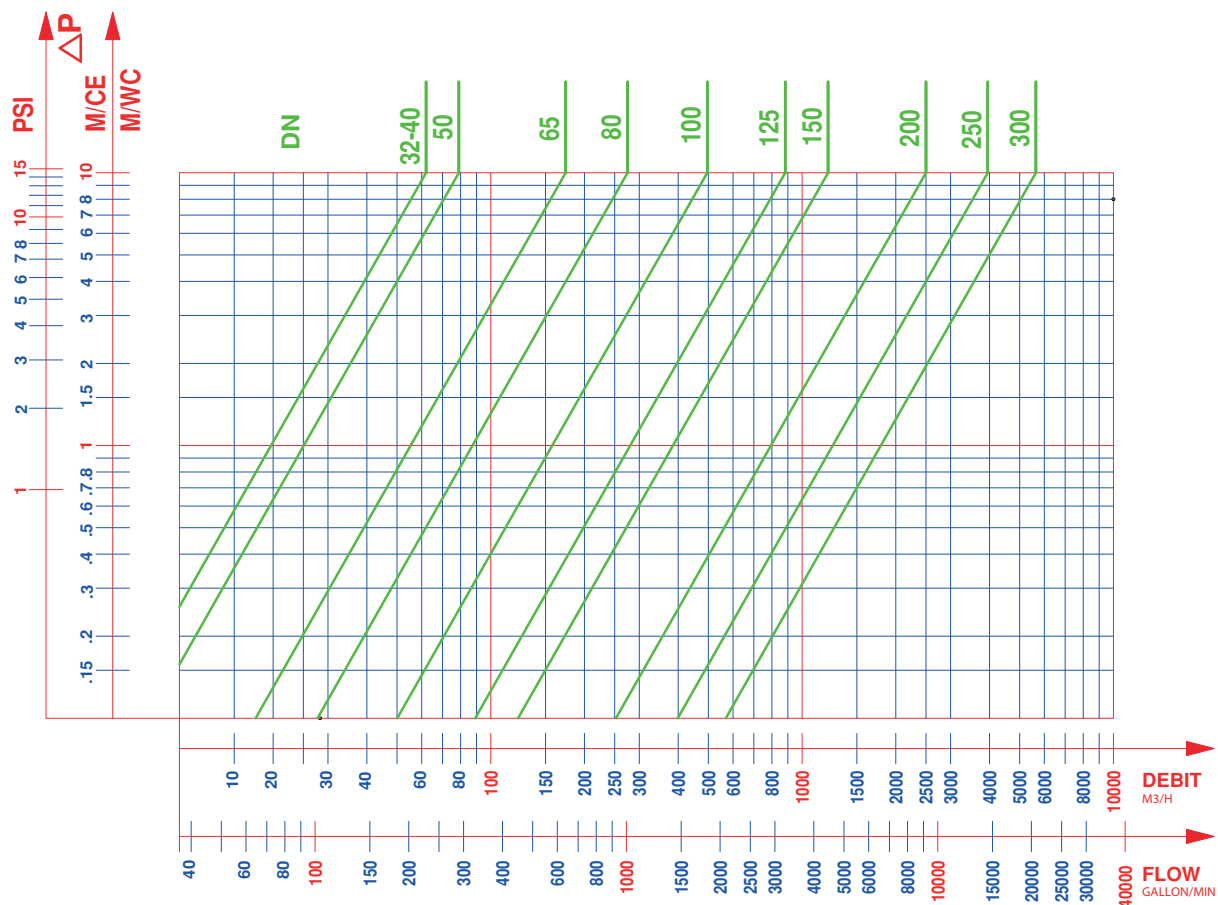
A regulation in the opening stage lower than 30° is not advisable because of over speed, cavitation effect, which could damage prematurely the valve.

The maximum flow velocity of the fluid through the valve must not exceed :

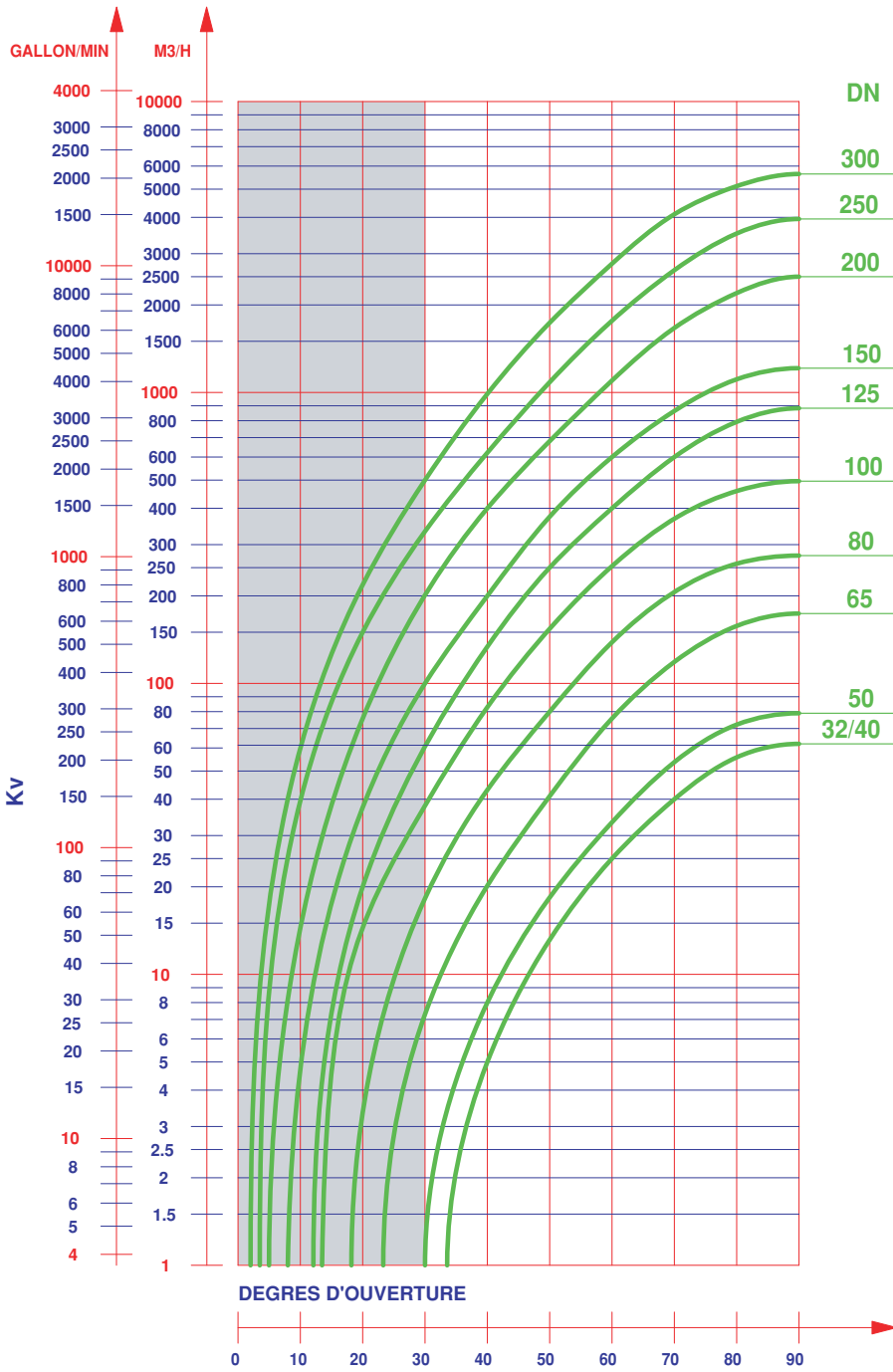
- 3 m/s for liquid fluids. Between 3 and 5m/s, the use of the Sylax MF-CNPP butterfly valve is possible, but the phenomena of cavitation, noise, vibration and water hammering increase.

Kv = volume of water in m³/h through a valve at a preset opening stage and under a head loss of 1 bar.

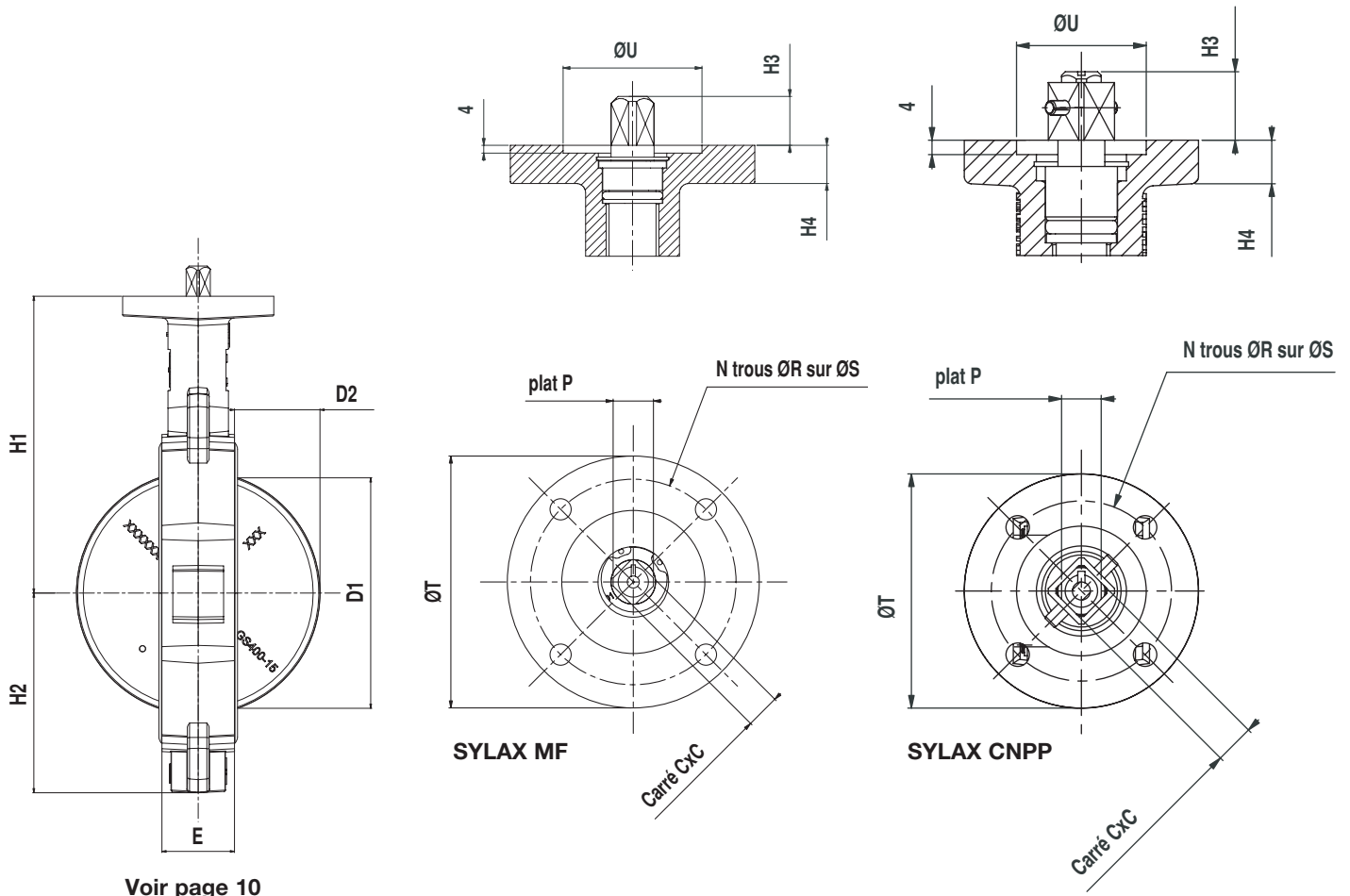
Head loss diagram (Δp)



Flow rate (Kv)



Overall dimensions

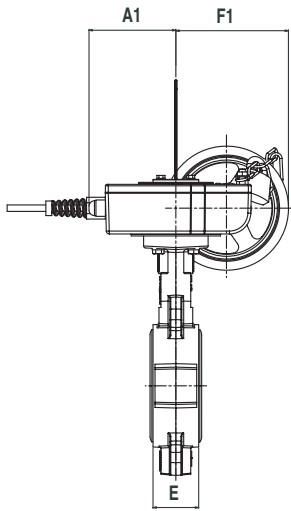


Voir page 10

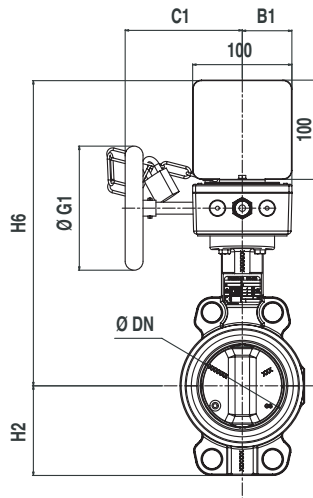
DN	NPS	Iso top according to ISO 5211						Square drive outlet			
		N	ØR	ØS	ØT	ØU	N°	□C	H3	plat P	H4
32/40	1 1/2	4	6,5	50	65	36	F05	11*	19	11	12
50	2	4	6,5	50	65	36	F05	11*	19	11	12
65	2 1/2	4	6,5	50	65	36	F05	11*	19	11	12
80	3	4	6,5	50	65	36	F05	11*	19	11	12
100 MF	4	4	8,5	70	90	56	F07	14	19	14	12
100 CNPP	4	4	6,5	50	65	36	F05	11*	19	11	12
125	5	4	8,5	70	90	56	F07	14	19	14	12
150	6	4	8,5	70	90	56	F07	14	19	14	12
200 MF	8	4	10,5	102	125	71	F10	17	25	20	15,5
250 MF	10	4	10,5	102	125	71	F10	22	32	26	16
300 MF	12	4	12,5	125	150	87	F12	22	29	26	16
200 CNPP	8	4	8,5	70	90	56	F07	14	19	14	12
250 CNPP	10	4	10,5	102	125	71	F10	17**	24	20	14
300 CNPP	12	4	10,5	102	125	71	F10	22	29	22	14

* with conversion sleeve 14x11

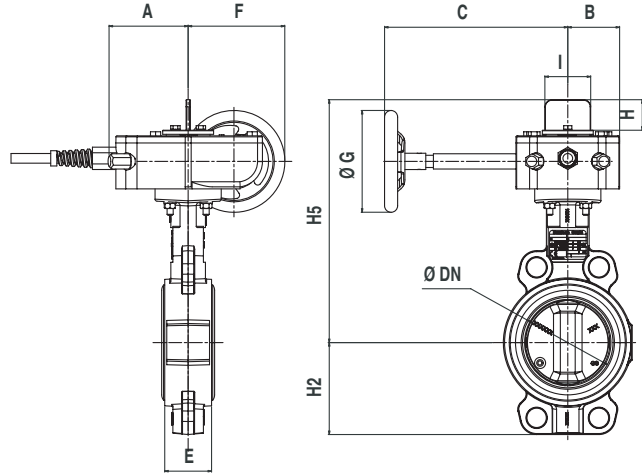
** with conversion sleeve 17x22



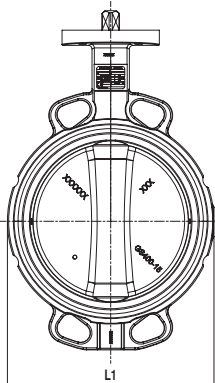
SYLAX CNPP



SYLAX MF



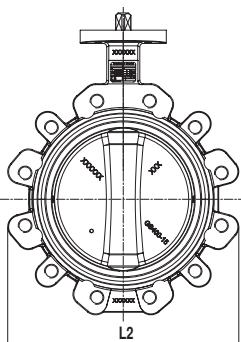
Centring lugs



Diameter	Face to face	Overall dimensions							Iso top according to ISO 5211											Travel of the disc		Weight (kg)	
		DN	NPS	E	L1	H1	H2	H5	H6	A	A1	B	B1	C	C1	F	F1	G	G1	H	I	D1	D2
32/40	1 1/2	32	144	130	57	232	287	74	84,5	40	50	168	118	93	110,5	100	125	50	55	31	6,5	4,7	3,2
50	2	43	121	136	62	238	294	74	84,5	40	50	168	118	93	110,5	100	125	50	55	29	4,5	5,1	4,5
65	2 1/2	46	136	145	83	247	303	74	84,5	40	50	168	118	93	110,5	100	125	50	55	48	10	5,5	4,7
80	3	46	127	151	89	253	309	74	84,5	40	50	168	118	93	110,5	100	125	50	55	67	18	5,8	4,8
100	4	52	153	175	106	277	333	74	84,5	40	50	175	118	105,5	110,5	125	125	50	55	88	25	7,7	7
125	5	56	182	190	120	292	348	74	84,5	40	50	175	118	105,5	110,5	125	125	50	55	113	35	9	8,2
150	6	56	209	203	131	305	361	74	84,5	40	50	175	118	105,5	110,5	125	125	50	55	141	48	10	9,1
200	8	60	265	245,5	165	386	382	100	84,5	70	50	228	118	145	110,5	200	125	40	75	192	71	24,5	13,7
250	10	68	317	271	200	411,5	440	100	82,5	70	73	228	205	145	160	200	200	40	75	242	91,5	30,8	21
300	12	77	370	296	238	461,5	465	100	82,5	70	73	234	205	170	160	250	200	40	75	291	112	42,6	30,3

(1) SYLAX MF & (2) SYLAX CNPP : Ductile iron body (JS1030) ; Ductile iron disc (JS1030) , EPDM liner.

Tapped lugs

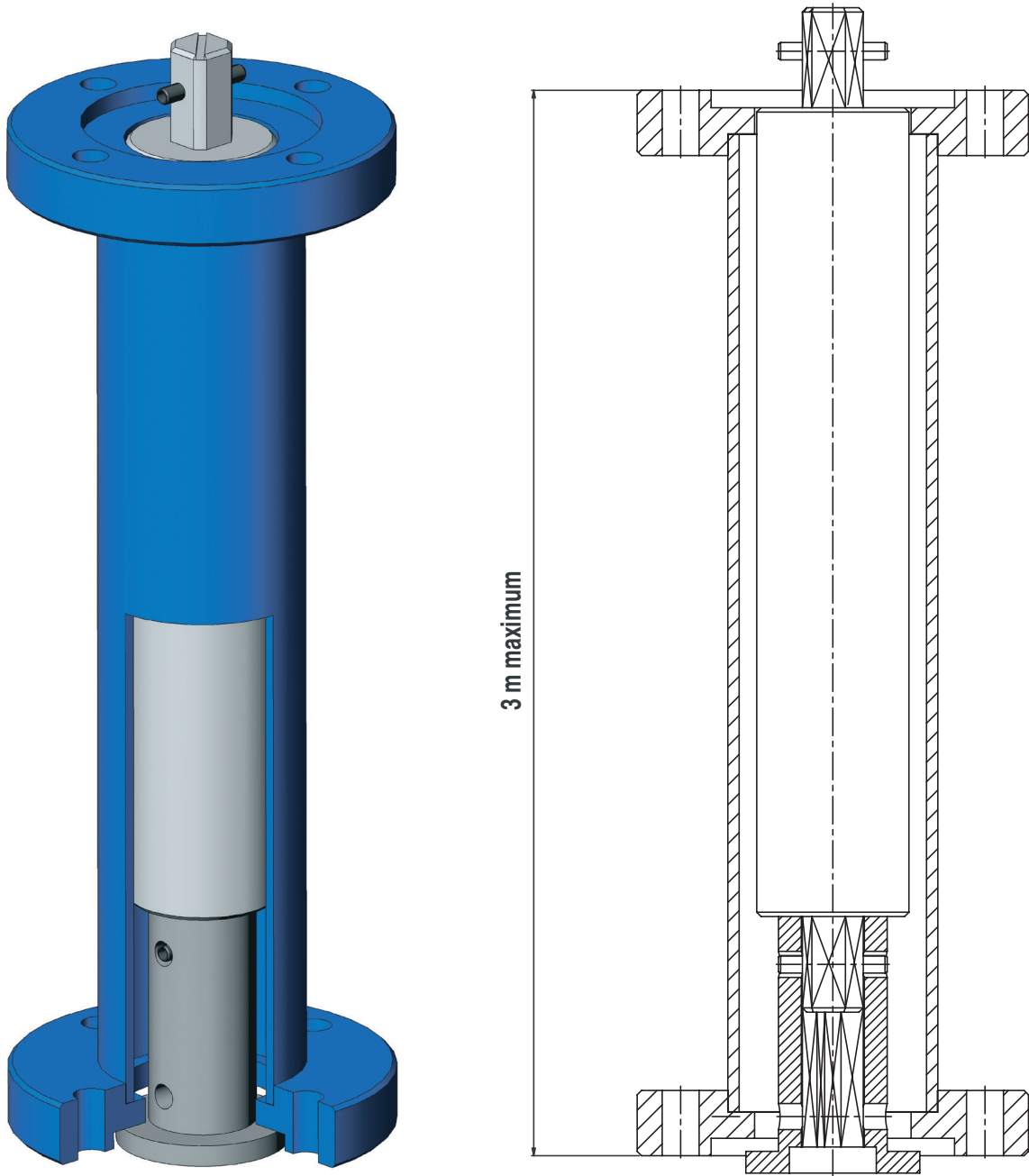


Diameter	Face to face	Overall dimensions							Iso top according to ISO 5211											Travel of the disc		Weight (kg)	
		DN	NPS	E	L2	H1	H2	H5	H6	A	A1	B	B1	C	C1	F	F1	G	G1	H	I	D1	D2
32	1 1/2	32	146	130	57	232	287	74	84,5	40	50	168	118	93	110,5	100	125	50	55	31	6,5	5,2	3,5
40	1 1/2	32	146	130	57	232	294	74	84,5	40	50	168	118	93	110,5	100	125	50	55	31	6,5	5,2	3,5
50	2	43	121	136	62	238	303	74	84,5	40	50	168	118	93	110,5	100	125	50	55	29	4,5	5,7	4,4
65	2 1/2	46	135	145	70	247	296	74	84,5	40	50	168	118	93	110,5	100	125	50	55	48	10	6,2	4,8
80	3	46	179	151	89	253	302	74	84,5	40	50	168	118	93	110,5	100	125	50	55	67	18	7,1	5,8
100	4	52	206	175	103	277	326	74	84,5	40	50	175	118	105,5	110,5	125	125	50	55	88	25	9,4	8,2
125	5	56	238	190	119	292	341	74	84,5	40	50	175	118	105,5	110,5	125	125	50	55	113	35	11,6	10,3
150	6	56	265	203	133	305	354	74	84,5	40	50	175	118	105,5	110,5	125	125	50	55	141	48	12,7	11,4
200	8	60	336	245,5	168	386	414,5	100	84,5	70	73	228	118	145	110,5	125	125	40	75	192	71	30,6	24,9
250	10	68	396	271	198	411,5	440	100	82,5	70	73	228	205	145	160	200	200	40	75	242	91,5	36,9	31,6
300	12	77	453	296	227	461,5	463,5	100	82,5	70	73	234	205	170	160	250	200	40	75	291	112	48,7	34,8

(1) SYLAX MF & (2) SYLAX CNPP : Corps fonte (JS1030) ; Papillon fonte (JS1030) , Manchette EPDM Chaleur

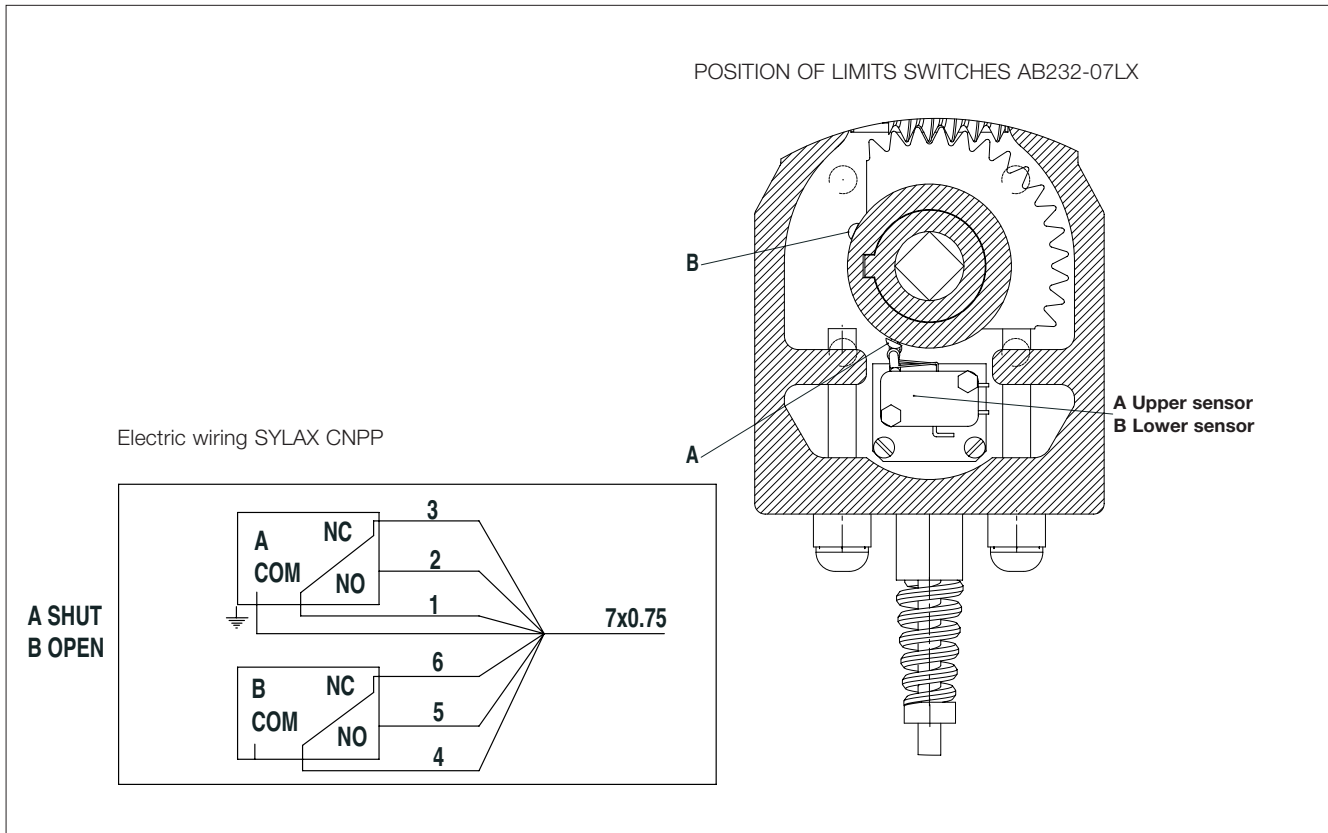
Extension shaft

Optional : extension shaft on Sylax CNPP version , maximum length 3 m : on request from our sales department.



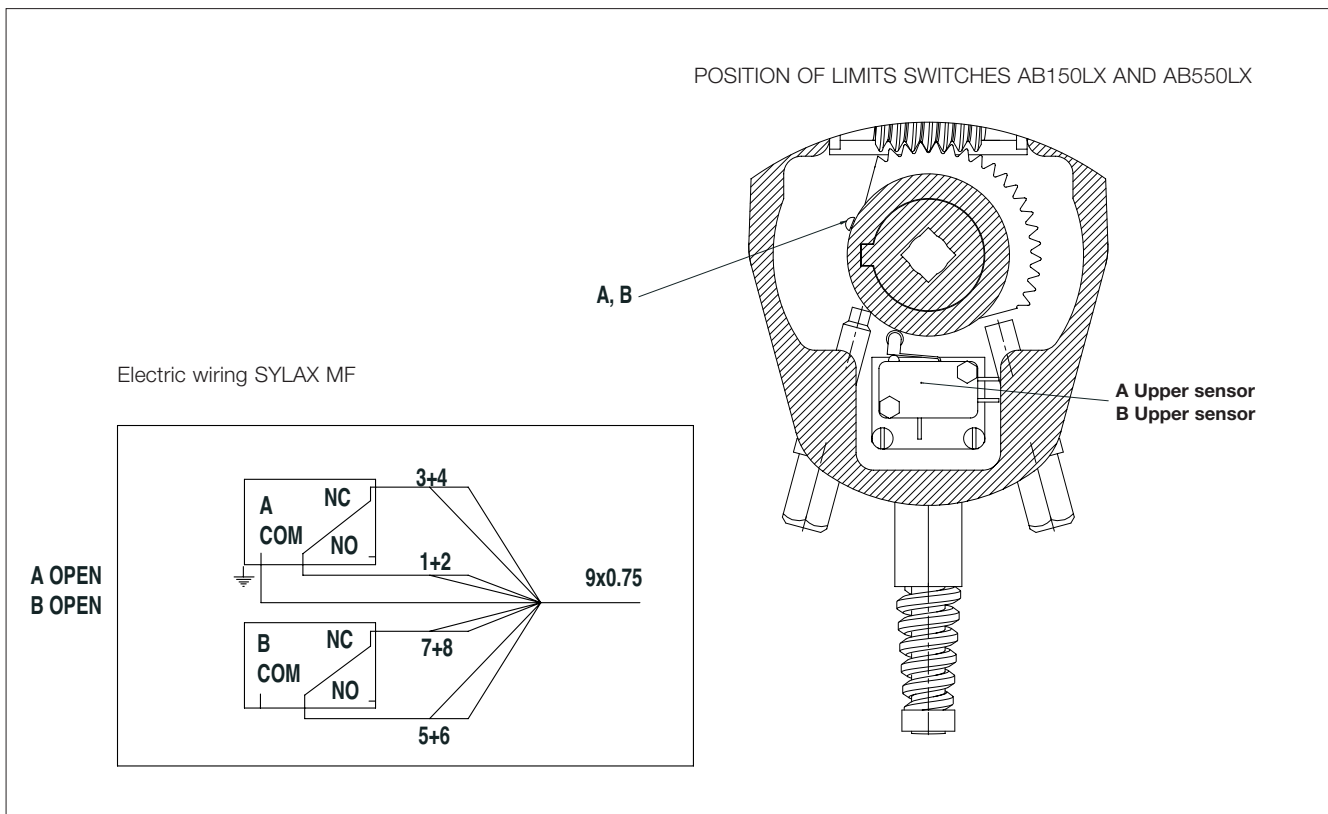
SYLAX CNPP :

Position of limit switches for AB232-07LX and AB232-10 LX



SYLAX MF :

Position of limit switches for AB150LX and AB550LX



Connecting flanges

The valve type Sylax MF-CNPP can be mounted with the following connections (other types on request) :

- ✓ : possible mounting
- : possible mounting with re-machining
- : possible mounting but special reference
- : impossible mounting

4 Centring lugs

Diameter		EN1092-1 & EN1092-2					ASME/ANSI B16.1 Class 125	ASME/ANSI B16.5 Class 150	ASME/ANSI B16.5 Class 300	BS10		JIS B2238 & JIS B2239		
DN	NPS	PN6	PN10	PN16	PN25	PN40				Table D	Table E	5K	10k	16k
32	1 1/4	✓	✓	✓	✓	✓	✓ ⁽¹⁾	✓ ⁽¹⁾	✓	●	●	●	✓	●
40	1 1/2	✓	✓	✓	✓	✓	✓	✓	●	✓	✓	●	✓	●
50	2	✓	✓	✓	✓	✓	✓	✓	●	✓	✓	●	●	●
65	2 1/2	✓	✓	✓	✓	✓	✓	✓	●	●	●	✓	✓	●
80	3	✓	✓	✓	✓	✓	✓	✓	●	✓	✓	✓	●	●
100	4	✓	✓	✓	✓	✓	✓	✓	●	✓	✓	●	●	✓
125	5	✓	✓	✓	●	●	✓	✓	●	✓	✓	✓	✓	●
150	6	✓	✓	✓	●	●	✓	✓	●	✓	✓	✓	✓	●
200	8	✓	✓	✓	●	●	✓	✓	●	✓	✓	●	●	●
250	10	✓	✓	✓	●	●	✓	✓	■	●	✓	✓	✓	●
300	12	✓	✓	✓	✓	●	✓	✓	●	✓	✓	✓	✓	✓

(1) Re-machining for ductile iron body GJS 400-15 (JS1030)

Tapped lugs

Diameter		EN1092-1 & EN1092-2					ASME/ANSI B16.1 Class 125	ASME/ANSI B16.5 Class 150	ASME/ANSI B16.5 Class 300	BS10		JIS B2238 & JIS B2239		
DN	NPS	PN6	PN10	PN16	PN25	PN40				Table D	Table E	5K	10k	16k
32	1 1/4	○	✓	✓	✓	✓	○	○	○	○	○	○	○	○
40	1 1/2	○	✓	✓	✓	✓	○	○	○	○	○	○	○	○
50	2	○	✓	✓	✓	✓	○	○	■	○	○	○	○	○
65	2 1/2	○	✓	✓	○	○	○	○	■	○	○	○	○	○ ⁽⁴⁾
80	3	○	✓	✓	✓	✓	○	○	■	○	○	○	○	○
100	4	○ ⁽⁵⁾	✓	✓	○	○	○	○	■	○ ⁽⁵⁾	○	○	○	○
125	5	✓	✓	✓	✓	✓	✓	✓	✓	✓	✓	✓	✓	✓
150	6	✓	✓	✓	✓	✓	✓	✓	✓	✓	✓	✓	✓	✓
200	8	✓	✓	✓	■	■	○	○	■	○	○	○	■	○ ⁽¹⁾
250	10	○	✓	✓	○	■	○	○	■	■	○	○	○	■
300	12	○	✓	✓	■	■	○	○	■	○	○	○	■	■

DN65 PN10/16 4 holes

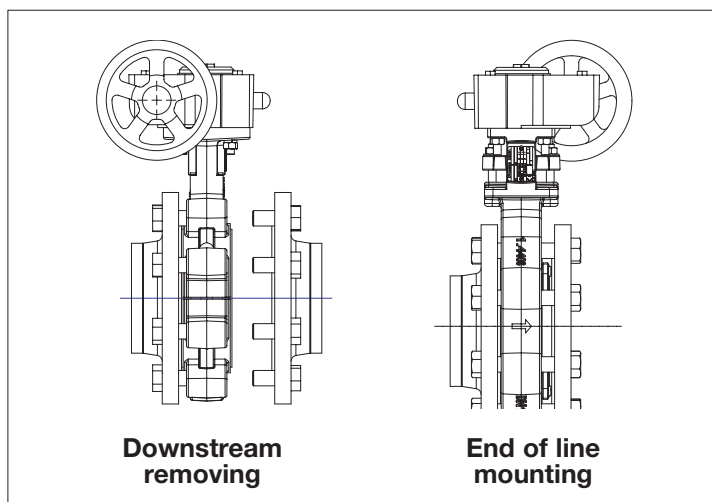
(1) corps JS1030

4) Possible mounting for ductile iron body GJS 400-15 (JS1030)

5) Possible mounting if the butterfly valve is inclined at 22,5°

Attention : the lug type body is not a multi-connection body (connection to many flanges of different sizes). Generally, every connection relates to a different reference of finished products.

End of line mounting and downstream removing



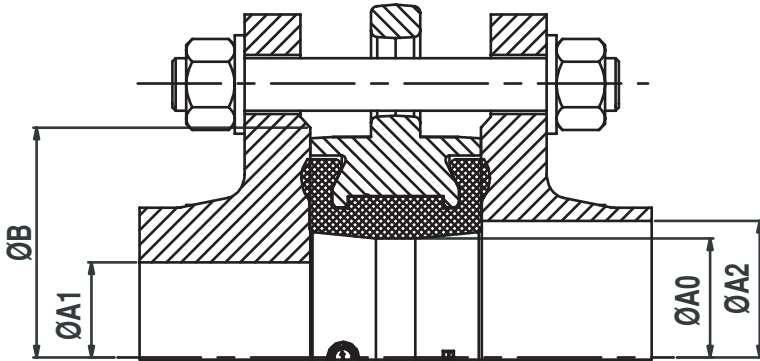
The end of line mounting and the downstream removing, at ambient temperature, of the Sylax MF-CNPP is limited to the pressure mentioned on page 11 according to the PED directive 2014/68/UE.

These mountings are only possible on tapped lug bodies

Type of flange

The Sylax MF-CNPP butterfly valve has been designed to be mounted on standard flanges. Only standard flanges type 11, 21 and 34 according to EN 1092 are quite compatible. For other types of flanges, refer to the table below.

Non appropriate connections will cancel our guarantee.



DN		Ø A0	Ø A1 mini	Ø A2 maxi	Ø B mini
mm	"	mm	mm	mm	mm
32/40	1 1/4	43	35	51	80
50	2	54	42	60	90
65	2 1/2	70	62	74	110
80	3	85	82	91	128
100	4	100	97	108	148
125	5	125	128	143	178
150	6	150	156	166	202
200	8	200	200	224	258
250	10	250	252	280	313
300	12	300	303	329	365

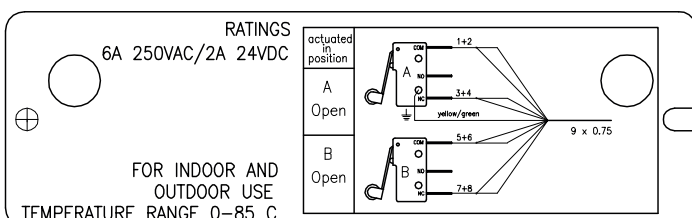
NOTE : The use of expansion seals, as well as the use of elastomer coated flanges, between the flange and the valve are strictly forbidden.

Tag and traceability

N°	Description
1	Name of the valve
2	Reference
3	Material of the disc
4	Material of the liner
5	Pressure PFA water 20°C
6	Number of manufacturing order
7	Manufacturing date
8	Connecting flanges



Tag riveted on gear box



Bolts and nuts

NOTE : Bolts and nuts are not part of our standard supply

DN	NPS	a	e	EN 1092 PN6			EN 1092 PN10			EN 1092 PN16			EN 1092 PN25			ASME / ANSI B16.5 Class 150		
				* Nb rods or Nb screw	ØV	C	* Nb rods or Nb screw	ØV	C	* Nb rods or Nb screw	ØV	C	* Nb rods or Nb screw	ØV	C	* Nb rods or Nb screw	ØV UNC**	C
32/40	1 ½	32	14	4	M12	18	4	M16	24	4	M16	24	4	M16	24	4	1/2"	18
50	2	43	18	4	M12	18	4	M16	24	4	M16	24	4	M16	24	4	5/8"	24
65*	2 ½	46	20	4	M12	18	8*	M16	24	8*	M16	24	8	M16	24	4	5/8"	24
80	3	46	20	4	M16	24	8	M16	24	8	M16	24	8	M16	24	4	5/8"	24
100	4	52	24	4	M16	24	8	M16	24	8	M16	24	8	M20	26	8	5/8"	24
125	5	56	26	8	M16	24	8	M16	24	8	M16	24	8	M24	32	8	3/4"	26
150	6	56	26	8	M16	24	8	M20	26	8	M20	26	8	M24	32	8	3/4"	26
200	8	60	28	8	M16	24	8	M20	26	12	M20	26	12	M24	32	8	3/4"	26
250	10	68	32	12	M16	24	12	M20	26	12	M24	32	12	M27	32	12	7/8"	26
300	12	78	36	12	M20	26	12	M20	26	12	M24	32	16	M27	32	12	7/8"	26

* For flanges in cast or ductile iron 4 holes M16 and for flanges in steel 8 holes M16 on the same drilling circle.

DN	NPS	a	e	BS10-d			BS10-e			JIS2238 & JIS2239 5K			JIS2238 & JIS2239 10K			JIS2238 & JIS2239 16K		
				* Nb rods or Nb screw	ØV UNC	C	* Nb rods or Nb screw	ØV UNC	C	* Nb rods or Nb screw	ØV	C	* Nb rods or Nb screw	ØV	C	* Nb rods or Nb screw	ØV	C
32/40	1 ½	32	14	4	1/2"	18	4	1/2"	18	4	M12	18	4	M16	24	4	M16	24
50	2	43	18	4	5/8"	24	4	5/8"	24	4	M12	18	4	M16	24	8	M16	24
65	2 ½	46	20	4	5/8"	24	4	5/8"	24	4	M12	18	4	M16	24	8	M16	24
80	3	46	20	4	5/8"	24	4	5/8"	24	4	M16	24	8	M16	24	8	M20	26
100	4	52	24	4	5/8"	24	8	5/8"	24	8	M16	24	8	M16	24	8	M20	26
125	5	56	26	8	5/8"	24	8	5/8"	24	8	M16	24	8	M20	26	8	M22	26
150	6	56	26	8	5/8"	24	8	3/4"	26	8	M16	24	8	M20	26	12	M22	26
200	8	60	28	8	5/8"	24	8	3/4"	26	8	M20	26	12	M20	26	12	M22	26
250	10	68	32	8	3/4"	26	12	3/4"	26	12	M20	26	12	M22	26	12	M24	32
300	12	78	36	12	3/4"	26	12	7/8"	26	12	M20	26	16	M22	26	16	M24	32

*** WAFER TYPE BODY, :**

Assembly by rods :Number of nuts and washer = 2 x Number of rods (above)

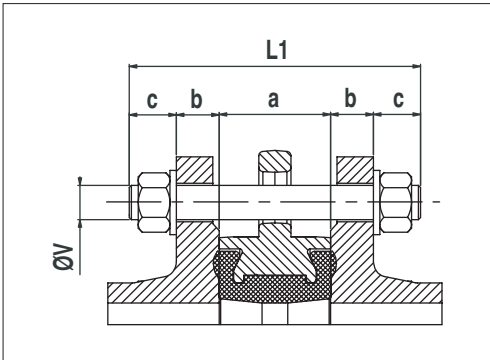
Assembly by bolts :Number of nuts = Number of screws (above) and number of washer = 2 x Number of nuts

*** LUG TYPE BODY :**

Assembly by screws :Number of screw per face (above) and number of washer is the same

**** ASME / ANSI B16.5 Class 150 :**ØV UNC threading in inch ; for metric threading, please consult us.

Bolts and nuts



For wafer type body ; assembly by rods :

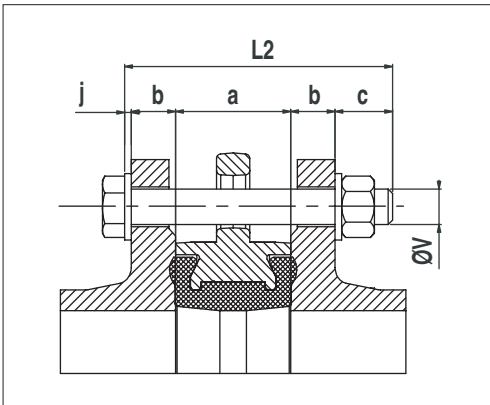
$$L1 = a + 2(b+c)$$

L1 = minimum length of rods

a = width of the butterfly valve (face to face dimension)

b = thickness of the flange (customer)

c = thickness of washer + thickness of nut + exceeding length of the rod



For wafer type body ; assembly by bolts :

$$L2 = a + 2b + c + j$$

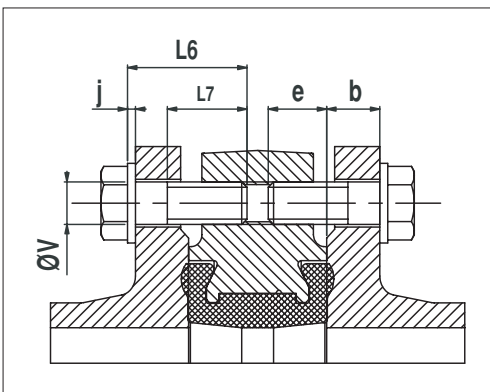
L2 = minimum length of rods

a = width of the butterfly valve

b = thickness of the flange (customer)

c = thickness of washer + thickness of nut + exceeding length of the rod

j = thickness of washer at the head of the screw



For lug type body ; assembly by screws :

$$L5 \leq b + e + j \text{ avec } L6 \geq L5 - (b + j)$$

L5 = maximum length under head of screw

L6 = minimum length of the threading of the screw

a = width of the butterfly valve (face to face dimension)

b = thickness of the flange (customer)

e = maxi depth of screw

j = thickness of washer

The descriptions and photographs contained in this product specification sheet are supplied by way of information only and are not binding. Socla reserves the right to carry out any technical and design improvements to its products without prior notice. Warranty : All sales and contracts for sale are expressly conditioned on the buyer's assent to Socla terms and conditions found on its website at www.socla.com. Socla hereby objects to any term, different from or additional to Socla terms, contained in any buyer communication in any form, unless agreed to in a writing signed by an officer of Socla.



A WATTS Brand

Socla sas

365 rue du Lieutenant Putier • 71530 Virey-Le-Grand • France

Tel. +33 03 85 97 42 00 • Fax +33 03 85 97 42 42

contact@wattswater.com • www.socla.com

ISO 9001 version 2015 / ISO 18001